

OCMER

OCM – 016 SIMPLEX

MACHINE FOR THE DRY SPRAYING OF GUNITE, CONCRETE AND REFRACTORY MIXES OCMER TYPE OCM - 016 SIMPLEX



The **OCM-016 SIMPLEX** is a rotor machine for the dry spraying of gunite, concrete and refractory mixes.

The well tried rotor working method together with the simplicity of the machine's operation grant a proper functioning in any working condition. The continuous **automatic lubrication of the sealing gaskets** allows to optimize the wear costs.

The possibility to mount rotors and hoses of different size allows a very wide field of applications: from the **slope consolidation** to the **swimming pools construction**, to the **re-lining** of damaged surfaces with pre-mixed materials. The machine is also largely known and appreciated in the application with **refractory gunning** mixes typically into furnaces and chimneys. Just to mention some of the typical applications.

The ordinary maintenance operations, fundamental for a proper functioning of the machine over the time, are also facilitated to their maximum extend.

Finally, the machine can be supplied with an electric motor driven from inverter or with a pneumatic engine. Both drives permit to regulate at will the machine's output. Other options are: cable or radio remote control unit, high pressure water pump, air pressure regulator.



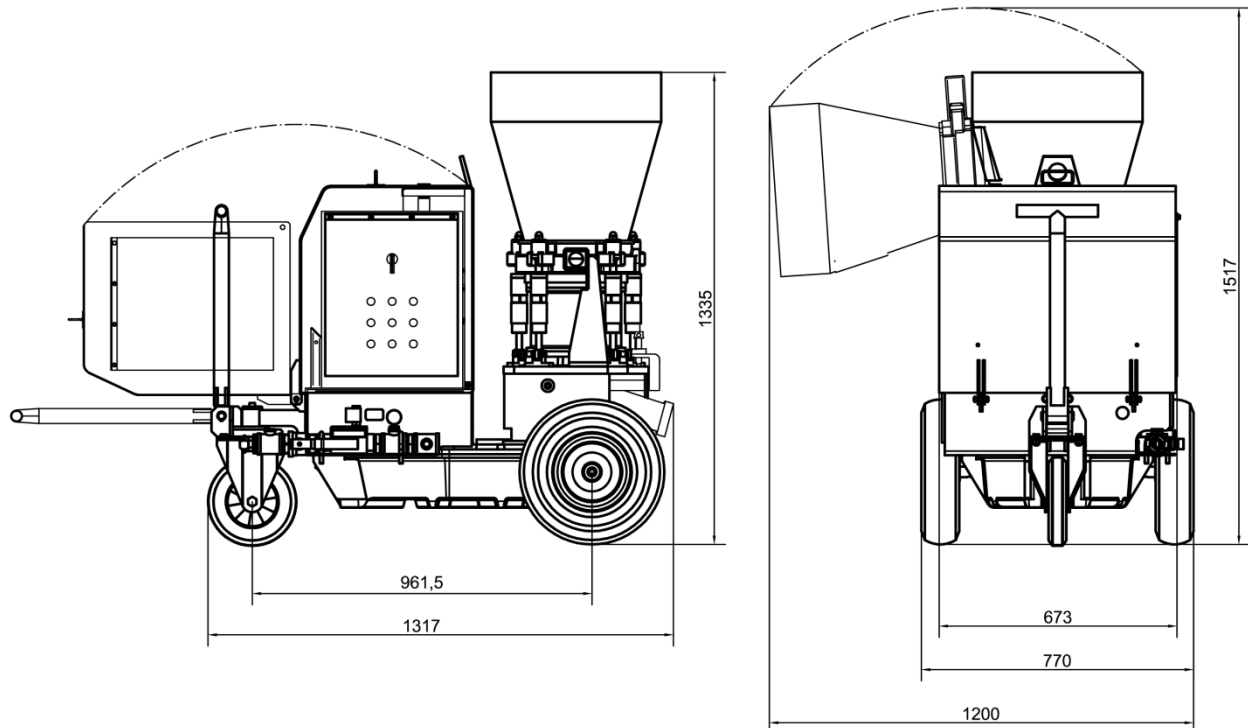
O
C
M

0
1
6

S
I
M
P
L
E
X

OCMER

OCM – 015 SIMPLEX



Weights 480-520 Kg

| CAPACITY OF ROTOR IN LITRES | MAX. THEOR. OUTPUT IN M ³ /h | HOSE SIZE | GRAIN SIZE IN mm | DELIVERY DISTANCE IN Mt | | COMPRESSED AIR CONSUMPTION IN M ³ /m AT 4-6 BARS |
|--------------------------------|--|-----------|---------------------|----------------------------|--|--|
| | | | | HORIZ./VERT. | | |
| 1,8 | 1,51 | 25X40 | 8 | 300/60 | | 2-4 |
| | | 32X48 | 10 | 300/60 | | 3-5 |
| 3,2 | 2,69 | 32X48 | 10 | 300/60 | | 3-6 |
| | | 40X60 | 13 | 300/60 | | 4-7 |
| 3,4 | 2,86 | 32X48 | 10 | 300/60 | | 3-6 |
| | | 40X60 | 13 | 300/60 | | 4-7 |
| 5 | 4,20 | 40X60 | 13 | 300/60 | | 5-8 |
| | | 50X70 | 16 | 300/60 | | 6-10 |
| 6 | 5,04 | 50X70 | 16 | 300/60 | | 6-12 |

(1) PROVIDED THE CHAMBERS FILL AND EMPTY COMPLETELY

DRIVE: ELECTRIC:

Two speeds electric engine: HP=3.5/5.5; 3x400 volt, 50 Hz
 Moto-inverter: HP=4; 3x400 Volt, 50 Hz.
 Electric board: EEC NORM (EN-60204-1;
 EN-60439-1; 73/23/EEC; 93/68/EEC)
 Protection degree: IP 55

PNEUMATIC

Main engine : HP=9
 Hydraulic power pack engine: HP=4;
 Air consumption (engines):
 6.000 litres/m a 6-7 bars

Right to make amendments reserved